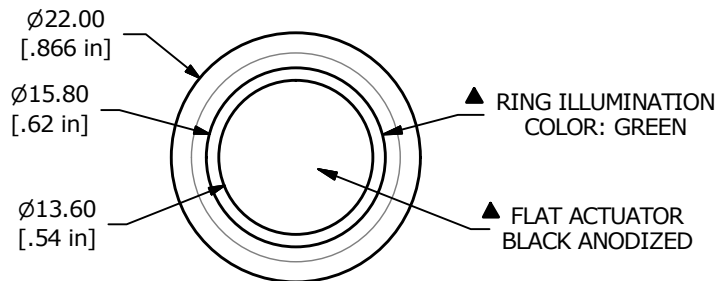


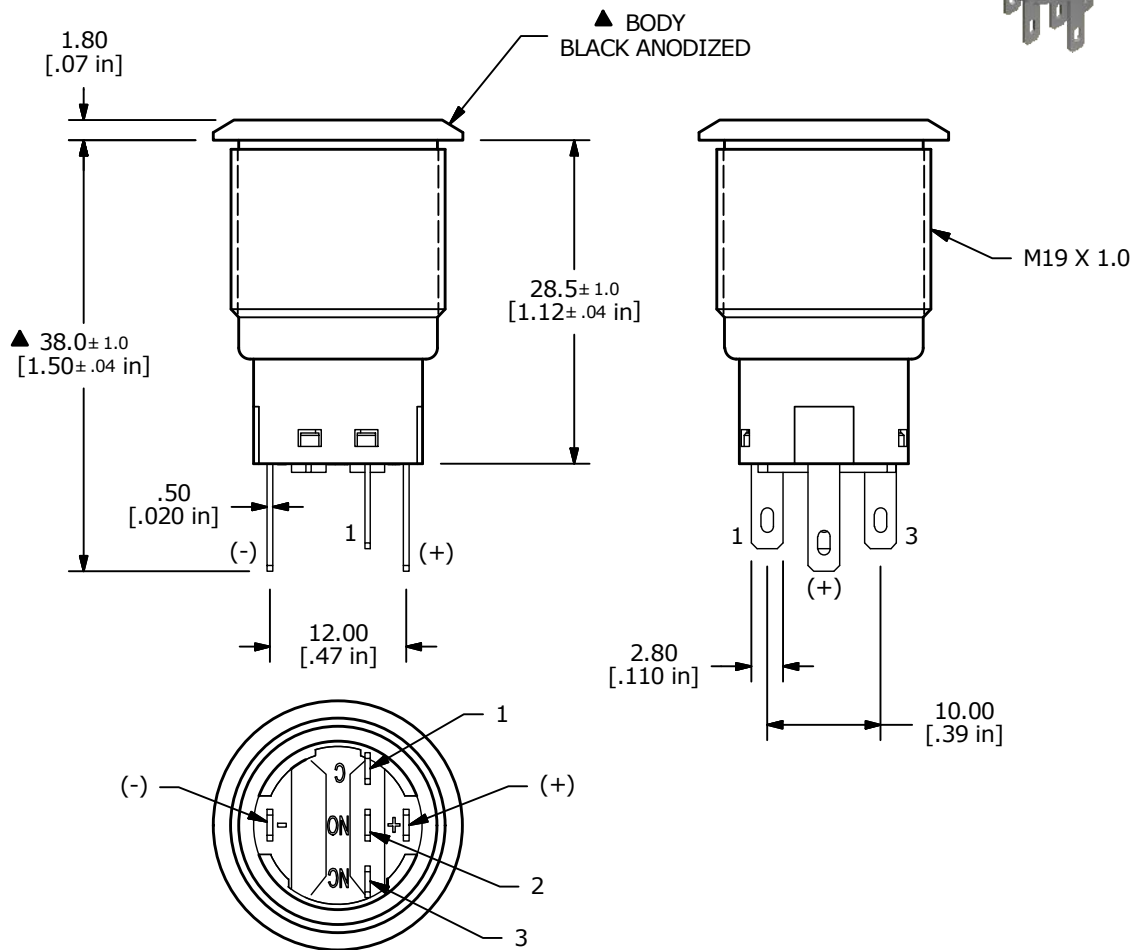
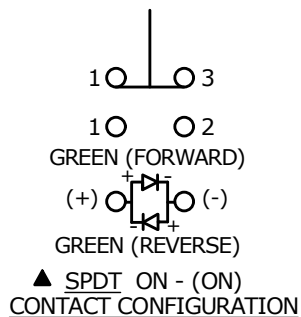
RECOMMENDED PANEL CUTOUT  
 MAX. PANEL THICKNESS  
 11.0mm [.43]



▲ SWITCH FUNCTION

| POS. 1 | POS. 2 |
|--------|--------|
|        |        |
| ON     | (ON)   |
| 1-3    | 1-2    |

(ON) = MOMENTARY



NOTE:

- ALL DIMENSIONS IN MM [INCH]
- GENERAL TOLERANCE: X.X = ±0.4  
 X.XX = ±0.25
- TERMINAL NUMBERS FOR REF ONLY
- CONTACT MATERIAL: SILVER
- RATING: 2A 24VDC
- ELECTRIC LIFE: 50,000 MAKE-AND-BREAK CYCLES  
 AT FULL LOAD.
- INSULATION RESISTANCE: 1,000 MΩ MIN.
- DIELECTRIC STRENGTH: 2,000 VAC MIN. FOR 1 MINUTE
- CONTACT RESISTANCE: 50mΩ MAX. @ 1A 12VDC
- OPERATING TEMP.: -20°C to 55°C
- TRAVEL: 2.8mm
- ▲ DENOTES CRITICAL PARAMETER.
- LAMP VOLTAGE: 12V
- INGRESS PROTECTION: IP65
- HARDWARE SUPPLIED: O-RING AND HEXNUT



|     |        |                        |          |    |
|-----|--------|------------------------|----------|----|
| A   | 23678  | RELEASE FOR PRODUCTION | 11/21/18 | MW |
| REV | PCR NO | DESCRIPTION            | DATE     | BY |

|                     |            |    |                 |     |
|---------------------|------------|----|-----------------|-----|
| TITLE PV4F2B011-334 |            |    |                 |     |
| SCALE               | DATE       | DR | DWG             | REV |
| 3:2                 | 11/21/2018 | MW | 52-PV4F2B011334 | A   |

THE INFORMATION CONTAINED IN THIS DOCUMENT IS PROPRIETARY  
 TO E-SWITCH AND IS NOT TO BE COPIED OR TRANSFERRED